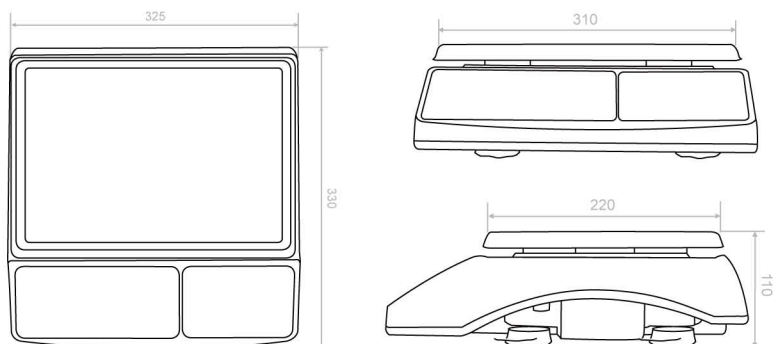


Technical Data

Power 100-240V - 12V1A adaptor Rechargeable Battery: 6V4Ah Estimated working time: 320hrs	Display LCD with backlight	Power Consumption 12mA - no backlight 36mA - with backlight
Pan Dimensions 315 x 250mm	Units Kg lb	Operating Temperature 0°C - 40°C
Capacity 3 6 15 30Kg	Shortcut U.W. 20 Memories	Approval CE
Division 0.1 0.2 0.5 1.0g	Sampling Speed 20times/second	RS232 Optional
Net Weight 3.8Kg	Non-linearity ≤0.01%F.S.	

dimension in mm



Features

- Rugged ABS housing <
- Big s.s pan 310 x 220mm <
- LCD display with backlight <
- Rechargeable 6V battery <
- Aluminum load cell supporter <
- 4 height adjusting feet <
- High accuracy of 1/30,000 <
- Multi-units exchange <
- 20 PLU of unit weight <
- Weight accumulation <
- Unit weight recalculate <
- Recall of memory weight <
- Auto power off setup <
- Optional RS232 interface <
- Optional Bluetooth output <



Models

Part No.	100828	100829	100830	100831
Models	CCX3	CCX6	CCX15	CCX30
U.P.(USD)	\$196.00	\$196.00	\$196.00	\$196.00
Capacity	3kg	6kg	15kg	30kg
Division	0.1g	0.2g	0.5g	1g
Pack Size	78 x 40 x 33cm (4pcs)			
Weight	17.6kg (4pcs)			