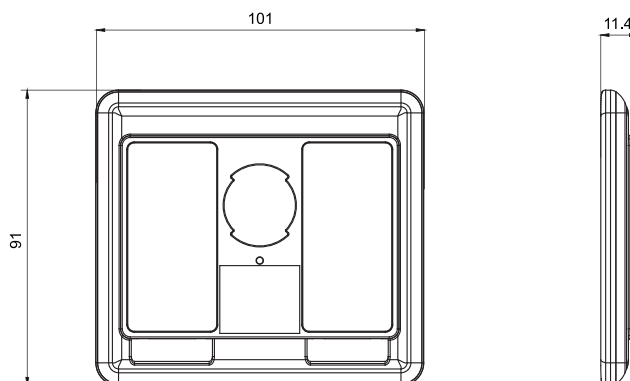


Stellar Series

Stellar-XL 4.2"



TECHNICAL DETAILS

Stellar-XL			
Product Dimensions (mm*mm*mm)	101*91*11.4		
Active Display Area (mm*mm)	84.8*63.6		
Weight (g)	102		
Case Color	Elegant white or customized		
Display Size (inch)	4.2		
Resolution (pixel)	400*300		
DPI	120		
Display color	BWR, BWY		
NFC	<p>"N" means the ESL with NFC function.</p> <ol style="list-style-type: none"> 1. Complies with ISO/IEC 14443 Type A standard 2. Supports NFC NDEF data format with 200 bytes writable memory 3. Communication distance is reachable maximum 10 mm 4. Batch update of the same template 		
Multiple Pages	Supported 4 pages		
LED Flash	Red, Blue, Green		
Working life	5 years (4 updates per day)		
Battery Spec	4*550mAh		
Changeable Battery	Battery Pack		
Working Temperature (°C)	0~30		
Working Humidity (%RH)	30~70		
Protection Level	IP65		
Certification	ROHS,CE,FCC,MIC		
RF Wireless Communicaiton Parameters	<table border="1"> <tr> <td>Working Frequency: 2402MHz ~ 2480MHz</td> <td>System Throughput: Up to 18,000 labels per hour</td> </tr> </table>	Working Frequency: 2402MHz ~ 2480MHz	System Throughput: Up to 18,000 labels per hour
Working Frequency: 2402MHz ~ 2480MHz	System Throughput: Up to 18,000 labels per hour		