

# LG610/BT

## General Purpose Gun Type Laser Bar Code Scanner



### Introduction

LG610/LG610BT is a brand new general purpose gun-type laser bar code scanner which is designed especially for retail, logistic market. We include friendly functions and with replaceable multiple interface cable options that make it more easily to be operated by customers to accommodate it to the user environment.

LG610 has most modern design and supports reading range up to 300 mm for the majority of 1D bar codes and GS1 DataBar™ codes. A stand option can be ordered to facilitate hand-free reading options.

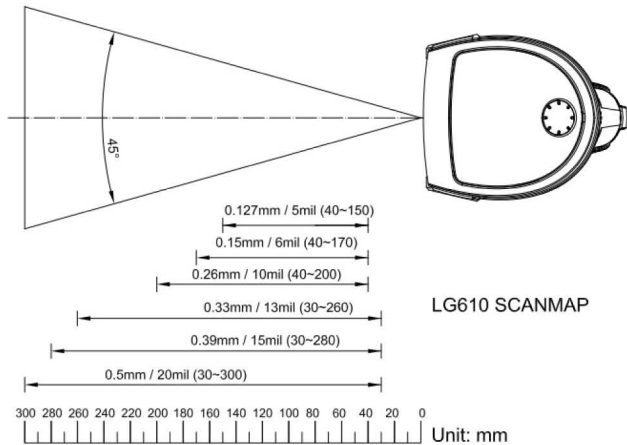
LG610BT's scanner and cradle designed with Class1 Bluetooth V2.1 EDR technology, with transmission range up to 100m / 328.08 ft. in line of open sight, support both SPP and HID profiles can easily pair up with other Bluetooth V2.1 compatible mobile equipments or systems.

In short, LG610/LG610BT is a high performance gun-type laser scanner, which provides customers with the most cost-effective solution in the market, perfectly suitable and definitely the best choice for application in any retail and logistic environment.

### Features

- Support most 1D bar codes and GS1 DataBar codes
- Support automatic detection and wake-up reading mode
- Reading distance up to 300mm (20mil/0.5mm@code39 pcs90%)
- 4 in 1 Combo interface that changes interface by replacing cable
- Bluetooth V2.1 Class 1 technology, range up to 100m in line of open sight
- Bluetooth supports both SPP and HID profiles can easily pair up with other Bluetooth V2.1 compatible mobile equipments or systems
- Support Batch transmission mode, memory capacity stores up to 30,000 inputs of EAN13 barcodes

# LG610/BT



LG610 SCANMAP

## Specifications

### Physical Characteristics

#### LG610

Scanner weight	Approx. 123g / 4.348oz
Material	ABS and Rubber
Cable Length	5ft (150cm)
Dimension	71.13mm(W) x 62.61mm(H) x 169.27mm(L)

#### LG610 Stand (Option)

Dimension	100.0 mm(W) x 203.25 mm(H) x 160.0 mm(L)
-----------	--

#### LG610BT

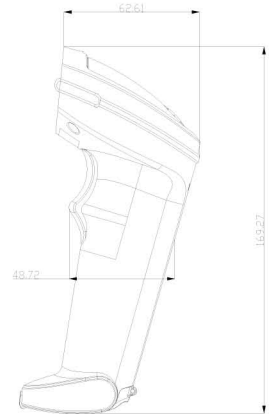
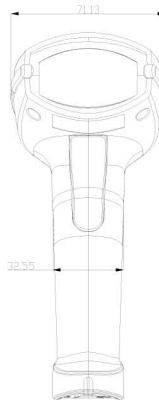
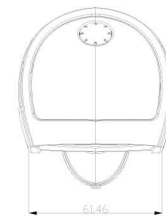
Scanner weight	Approx. 185.4g / 6.54oz (incl. Battery)
Dimension	71.13mm(W) x 62.61mm(H) x 169.27mm(L)
Cradle weight	Approx. 147g / 5.18oz
Dimension	112.18mm(W) x 84.64mm(H) x 130.6 mm(L)

### Performance

Light Source	Visible Laser Diode 650nm±10nm
Sensor	Photo Diode
Operating Freq.	8 MHz
Scan Speed	Up to 50 scans per second
Depth of Field	Up to 300mm@20mil/0.5mm, PCS90%
Print Contrast Ratio	30%
Minimum Resolution	5mil/0.127mm@PCS90%
Reading Angle	Test Conditions : Code 39, 10mil/0.25mm, PCS 90%
	Pitch : ±5°~60°(±5°)
	Skew: ±5°~60°(±5°)
Ambient Light	Up to 5,000 Lux

### Environmental

Operating Temperature	0°C to 50°C (32°F to 122°F)
Storage Temperature	-20°C to 70°C (-4°F to 158°F)
Relative Humidity	20% to 95% (Non-condensing)



### Electrical Characteristics

#### LG610 Scanner

Voltage	DC +5V ± 5%
Operation Consumption	65mA

#### LG610BT Scanner

Voltage Battery	Li-Ion 3.7V/2600 mAh
Charge Time	Approx. 5 hours
Reads per Charge	50,000 Times
Operation Consumption	170mA

#### LG610BT Cradle

Voltage	DC +5V ± 5%
Operation Consumption	100mA

### Radio Characteristics

Bluetooth Module	Bluetooth V2.1 EDR
Frequency Band	2.402GHz ~ 2.480GHz
Transmission Range	Up to 100m/ 328.08 ft. line of sight
RF Output Power	Class 1 (under 20dBm)

### Reliability

MTBF(Calculated) <b>LG610</b>	40,000 hours minimum
<b>LG610BT</b>	35,000 hours minimum
Cable Bending Test	25,000 times minimum (30 times/min @ 500g/90°)
Drop	<b>LG610</b> 59.05 inches (150cm), <b>LG610BT</b> 47.24inches (120cm) drop on concrete surface

### Readable Symbolologies

All UPC/EAN/JAN, EAN128 Code, Code 39, Code 39 Full ASCII Code32 / Italian Pharmacy, Code 128, CODABAR/NW7 Interleave 25, Industrial 25, Matrix 25, MSI/PLESSEY, Telepen Code 93, Code 11, China Postage, Code 26 and GS1 DataBar Family

Due to Champtek's / Scantech ID's continuing product improvement programs, specifications and features are subject to change without notice.