



8" Rimless USB LCD Monitor



USB Powered

Features

1. Rimless front bezel design
2. Integrated with protection glass (Model: P080UG)
 - 5 wires resistive flat touch (Model: P080UR)
 - PCAP touch (Model: P080UP)
3. Small footprint
4. VESA 75 x 75 mm wall mounting standard
5. Sleek surface throughout monitor's appearance
6. Optional tool-free height adjustment pole base
7. Smart cable management
8. Viewing angle adjustment up to 120° (L/R) / 30° (upward)
9. Low power consumption only 2.5W with LED backlight

Specification

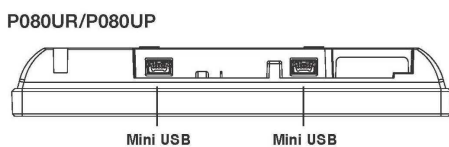
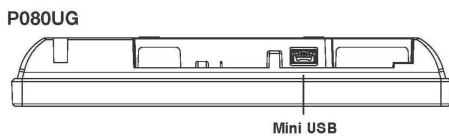
Model	P080UG / P080UR / P080UP
Cabinet Color	Black or White
Front Panel	Mitsubishi PMMA Hardness > 5H (JIS D0202), T > 93% (Model: P080UG) 5 wires resistive flat touch (Model: P080UR) / PCAP touch (Model: P080UP)
Display Type	8" diagonal TFT active matrix with LED backlight
Recommended Resolution	800 x 600
Brightness	150 cd/m ² (typ.)
Contrast Ratio	500:1 (typ.)
Viewing Angle	140° (H) / 125° (V)
I/O Connectivity	Mini USB
Backlight MTBF	20,000 hrs

* Specification is subject to be changed without prior notice.

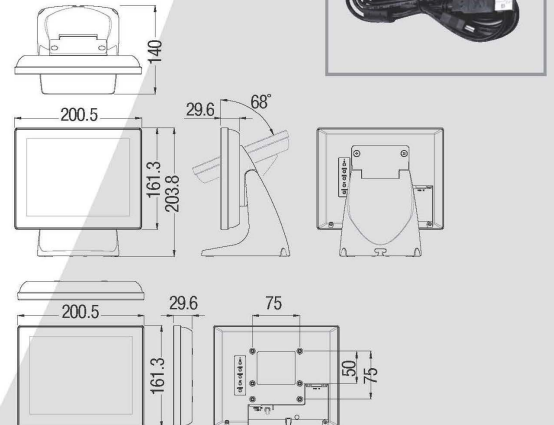
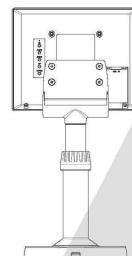
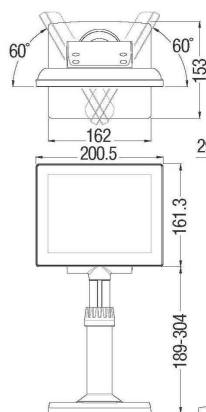
Applications: Supermarket/Chain stores
Hospitality/Factory automation



I/O indication



Dimension (unit: mm)



www.phistek.com



2017.05

